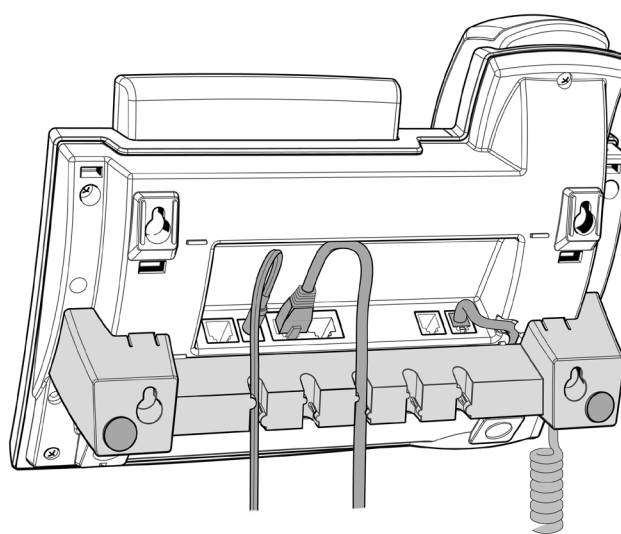
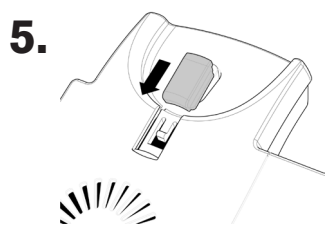
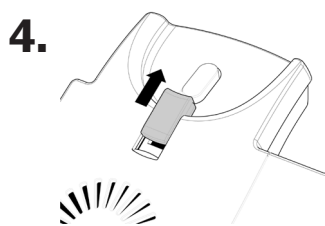
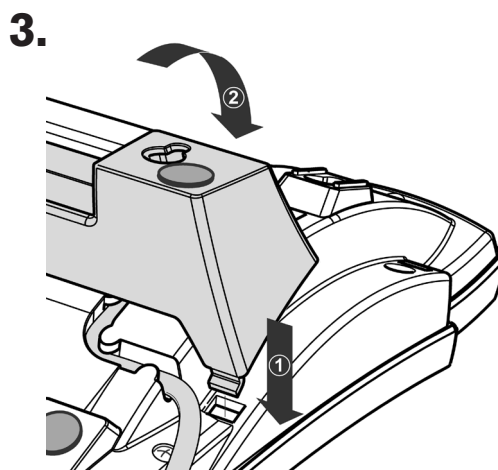
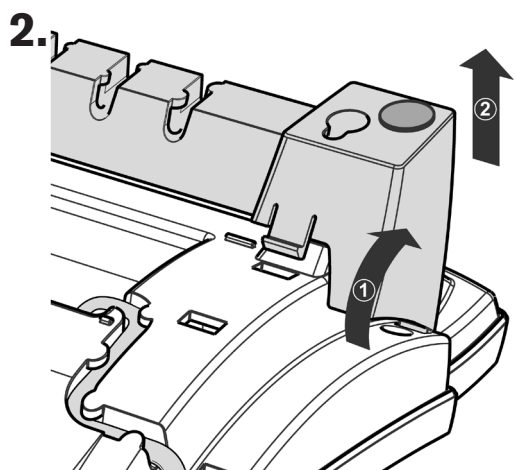
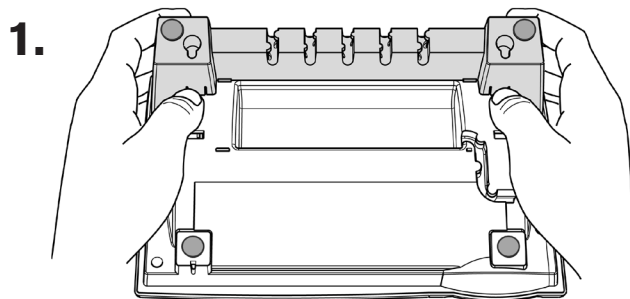
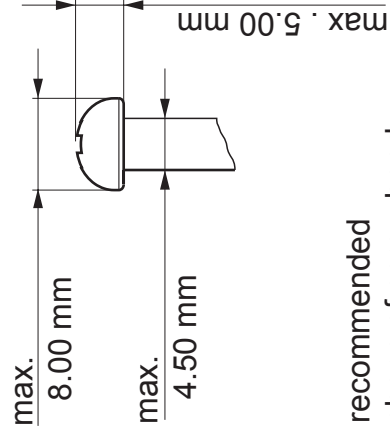
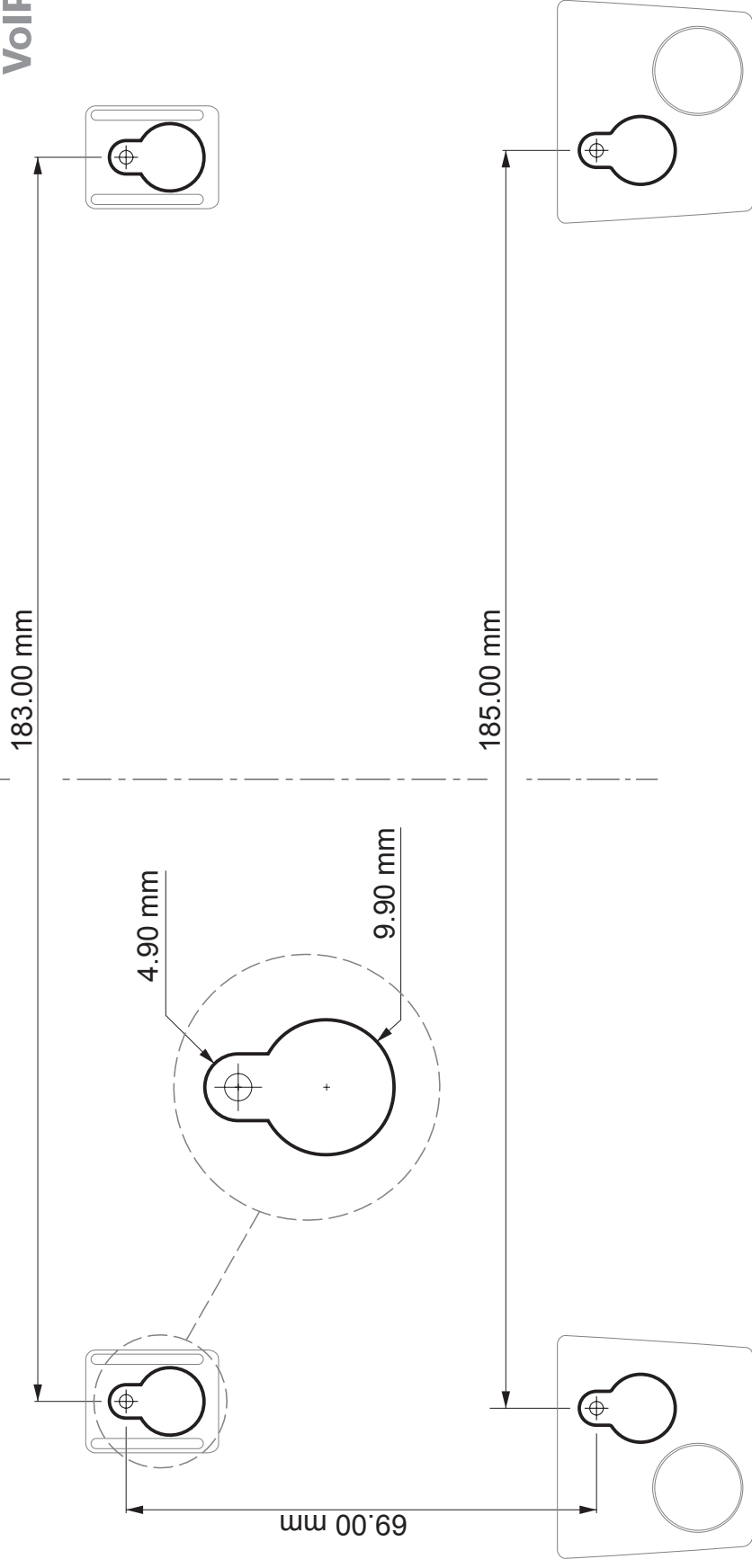
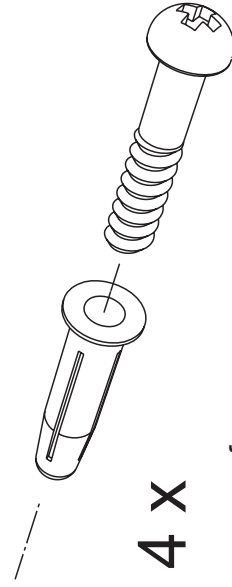


Wallmount Guide ■ ■ ■ snom 320





recommended
shape of screw head



4 X

usage of
woodscrews and dowels recommended
for brick and concrete walls

Drill Template for Wallmount Usage

VoIP - Phone Models
snom 320, snom 360,
snom 370