



SD9364-EH

Speed Dome Network Camera

1080p 60 fps · 30x Zoom · 250M IR · NEMA 4X · IP66 · Defog · -50°C ~ 55°C · EIS

The SD9364-EH is the latest professional speed dome camera from VIVOTEK, specifically designed to enhance low light surveillance in large coverage areas. Equipped with 250M IR illuminators and a 30x optical zoom lens, the SD9364-EH provides a superb low light image in the most challenging situations. The SD9364-EH also adopts VIVOTEK's latest IR technology, VAIR (Vari-Angle IR). VIVOTEK's VAIR provides smooth vari-angle adjustment of the IR illuminators, allowing broad coverage FOV and highly uniform IR intensity while avoiding hot-spots traditionally associated with IR illumination.

The SD9364-EH is the PTZ surveillance camera with IR Illumination to utilize H.265 compression technology. When combined with VIVOTEK's Smart Stream II technology, users can obtain bandwidth savings of up to 80%* compared to traditional H.264. By combining 1080p full HD resolution with H.265, IR illuminators, VAIR, WDR, and 30x optical zoom, the SD9364-EH is able to capture fine details at top-notch quality, 24 hours a day, 7 days a week. VIVOTEK

further strengthened the camera performance with an IP66- and NEMA 4X-rated housing to protect the camera against rain, dust, and corrosion. The SD9364-EH has a wide operating temperature range from -50°C to 55°C, ensuring continuous operation under the most extreme weather conditions and hazardous environments. This makes the SD9364-EH ideally suited to monitor wide open spaces such as ports, highways, cities, and parking lots where high-level precision is required.

As with all VIVOTEK true day/night cameras, the SD9364-EH features a removable IR-cut filter, maintaining clear images 24 hours a day. Audio detection is included by recognizing changes in ambient noise. The SD9364-EH also includes a SD/SDHC/SDXC card slot and supports up to 60 fps in 1080P full HD. For the most demanding outdoor surveillance application, there is nothing that compares to the VIVOTEK SD9364-EH.

* Depending on scene being monitored.

Key Features

- Real-time H.265, H.264 and MJPEG Compression (Triple Codec)
- 1080p HD CMOS Sensor
- 60 fps @ 1080p Full HD
- 30x Zoom Lens, 250 M IR
- VAIR (Vari-Angle IR)
- Removable IR-cut Filter for Day & Night Function
- 360° Continuous Pan and 220° Tilt
- WDR Pro for Unparalleled Visibility in High Contrast Environments
- Weather-proof IP66-rated, Vandal-proof IK10 and NEMA 4X-rated Housing
- -50°C ~ 55°C Wide Temperature Range for Extreme Weather Conditions
- Audio Detection for Instant Alerts
- Auto Tracking for Moving Objects
- Smart Stream II to Optimize Bandwidth Efficiency
- 3D Privacy Masks for Additional Protection
- Built-in SD/SDHC/SDXC Card Slot for On-board Storage
- Defog
- EIS



Without VAIR

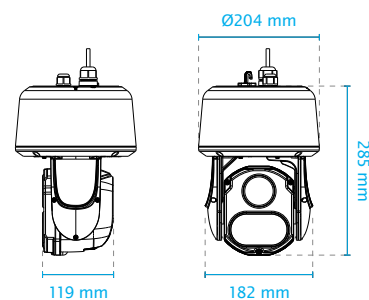


With VAIR

Technical Specifications

Model	SD9364-EH
System Information	
CPU	Multimedia SoC (System-on-Chip)
Flash	128MB
RAM	512MB
Camera Features	
Image Sensor	1/2.8" Progressive CMOS
Maximum Resolution	1920x1080
Lens Type	30x Optical Zoom, Auto Focus
Focal Length	f = 4.3~129 mm (30x zoom)
Aperture	F1.6 ~ F4.7
Auto-iris	DC-iris
Field of View	2.3°~63.7° (Horizontal) 1.3°~38.5° (Vertical) 2.6°~70.9° (Diagonal)
Shutter Time	1 sec. to 1/10,000 sec.
WDR Technology	WDR Pro
Day/Night	Removable IR-cut filter for day & night function
Minimum Illumination	0.07Lux @ F1.6 (Color) 0Lux @ F1.6 (B/W)
Pan Speed	0.1° ~ 300° / sec
Pan Range	360 endless
Tilt Speed	0.1° ~ 300° / sec
Tilt Range	220° (-110° ~ +110°)
Preset Locations	256 preset locations 128 presets per tour
Pan/Tilt/Zoom Functionalities	128x digital zoom (4x on IE plug-in, 32x built-in) Auto pan mode Auto patrol mode
IR Illuminators	250 m
On-board Storage	Slot type: SD/SDHC/SDXC card slot Seamless Recording
Video	
Compression	H265, H264, MJPEG
Maximum Frame Rate	H.265 & H.264: 60 fps @ 1920x1080 MJPEG: 30 fps @ 1920x1080
Maximum Streams	4 simultaneous streams
S/N Ratio	62 dB
Dynamic Range	120 dB
Video Streaming	Adjustable resolution, quality and bitrate Smart Stream II
Image Settings	Adjustable image size, quality and bit rate Time stamp, text overlay, flip & mirror Configurable brightness, contrast, saturation, sharpness, white balance, exposure control, gain, backlight compensation, privacy masks (Up to 24) Scheduled profile settings, Defog, 3DNR, EIS
Audio	
Audio Capability	Audio input/output (full duplex)
Compression	G.711, G.726
Interface	External microphone input External line output
Network	
Users	Live viewing for up to 10 clients
Protocols	IPv4, IPv6, TCP/IP, HTTP, HTTPS, UPnP, RTSP/RTP/RTCP, IGMP, SMTP, FTP, DHCP, NTP, DNS, DDNS, PPPoE, CoS, QoS, SNMP, 802.1X, UDP, ICMP, ARP, SSL, TLS, NTCIP
Interface	10 Base-T/100 Base-TX/1000 Base-T Ethernet (RJ-45) *It is highly recommended to use standard CAT5e & CAT6 cables which are compliant with the 3P/ETL standard.

ONVIF	Supported, specification available at www.onvif.org
Intelligent Video	
Video Motion Detection	Five-window video motion detection
Auto-Tracking	Auto-tracking on moving object
Alarm and Event	
Alarm Triggers	Manual trigger, periodical trigger, system boot, recording notification, audio detection, motion detection
Alarm Events	Event notification using digital output, HTTP, SMTP, FTP and NAS server File upload via HTTP, SMTP, FTP and NAS server
General	
Connectors	RJ-45 cable connector for Network 10/100/1000Mbps PoE connection Audio input Audio output DC 48V power input Digital input*4 Digital output*2 RS-485 for PTZ control (PelcoD protocol, Baud rate 2400)
LED Indicator	System power and status indicator
Power Input	95W PoH/PoE DC 48V
Power Consumption	Max. 78 W (Heater on) Max. 27 W (Heater off)
Dimensions	Ø: 204 mm x 285 mm
Weight	Net: 6030 g
Casing	Weather-proof IP66-, Vandal-proof IK10- and NEMA 4X-rated housing
Safety Certifications	CE, FCC Class A, VCCI, C-tick, NEMA 4X, UL
Operating Temperature	-50°C ~ 55°C (-58°F ~ 131°F)
Humidity	90%
Warranty	36 months
System Requirements	
Operating System	Microsoft Windows 8/7/Vista/XP/2000
Web Browser	Mozilla Firefox 7~43 (streaming only) Internet Explorer 7/8/9/10/11
Other Players	VLC: 1.1.11 or above Quicktime: 7 or above
Included Accessories	
CD	User's manual, quick installation guide, Installation Wizard 2, VAST
Others	Wall mount bracket, screws, waterproof connectors, terminal blocks, quick installation guide, warranty card, alignment sticker, ground wire, T25 star driver, software CD, desiccant bags, AO-003 I/O cable
Dimensions	



Compatible Accessories

Mounting Kits



AM-529
Mounting Adapter

Others



IPD-USB
USB Joystick

Cabinet



AT-CAS-001
Cabinet for Speed dome, IP66, IK10



AT-CAB-002
Cabinet for HLG Power Supply



AT-SUN-002
Sunshield



AT-SWH-000
Power Safety Kit



PoE Kit/Power Adapter

48VDC



AW-IHS-0200/0201/0203
Industrial Fiber Media Converter



HLG-120H-48
Industrial 48VDC/120W Power Supply, IP67



HLG-120H-48
Industrial 48VDC/120W Power Supply, IP67

95W PoH/PoE



AW-IHH-0100
Industrial 1xGE 95W PoH/PoE Injector



HLG-120H-54
Industrial 54VDC/120W Power Supply, IP67



AW-IHH-0200
Industrial 1xGE 95W PoH/PoE + 1x SFP GE Switch



HLG-120H-54
Industrial 54VDC/120W Power Supply, IP67



AP-GIC-010A-095
95W PoH/PoE Injector