

AND-BTN-KIT-1 & AND-BTN-KIT-1D

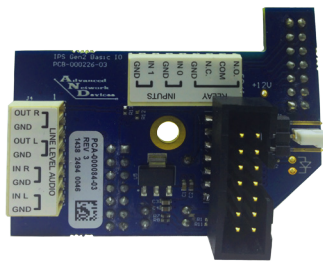
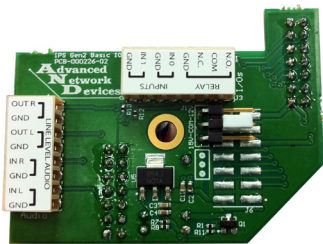
Vandal Proof Button Kit

Button Kit Overview

The peripheral interface adapter (AND-PIA-2 & AND-PIA-2D) interfaces with the call button via the general purpose input signal on the “poke-home” connector. The AND Call Button Kit is used for initiating 2-way communication between devices or devices and phones. This kit can be used with most AND devices to trigger an external alert.



AND-BTN-KIT-1



AND-BTN-KIT-1D



Features

Two Way Communication:

- Activate via push button
- Allows for full duplex hands free communication

Multiple Extensions:

- Program up to two extensions or phone numbers. The primary extension is dialed upon pushing the button.
- The secondary extension is dialed when the button is pushed and held. (I.e. Push once to talk to the office; push and hold to connect to campus or district security.)

Dial-Out:

- When connected to an Advanced Network Device on your PBX (connected via SIP) the Call Button Kit can be programmed to dial both internal extensions and external phone numbers

Device Requirements:

- Compatible with AND devices of MAC address 20:46:F9:03:00:00 or higher.
- Use with PoE or PoE+ power source

Notes:

- IPSIGNAL-RWB and IPCDS-RWB require the modified peripheral interface board
- (Part # AND-PIA-2D).
- IPSCM model does not support this kit.
- ZONEC2 does not require the AND-PIA-2 or AND-PIA-2D adapter.

Call Button Specifications

- Faceplate diameters are for installation with any standard back box
- Faceplate is 16 gauge brushed stainless steel
- Button diameter is .6” (15mm)
 - Polished Stainless Steel
 - Circuit SPST
 - Switch Function Momentary ON
 - Rating 2A @ 48VDC
 - Electrical Life: 200,000 cycles
 - Operating Temperature: -20 C to 55 C
 - Ingress Protection: IP65
 - Installation Depth: 1” (25.4mm)
 - Screw Type Terminals

AND-PIA-2 & AND-PIA-2D Specifications

- Use 18-22 AWG stranded or solid core wire pair to connect button to peripheral interface board
- Vandal resistant screws included to increase security
- The peripheral interface adapter (AND-PIA-2 & AND-PIA-2D) makes any combination of the following signals available via two “poke-home” connectors on the board:
 - Line Level Audio In
 - Line Level Audio Out
 - 2 General Purpose Inputs
 - General Purpose Output Relay (N.O. or N.C; dry or 12V or 15VDC, 1A max)





Front

Side

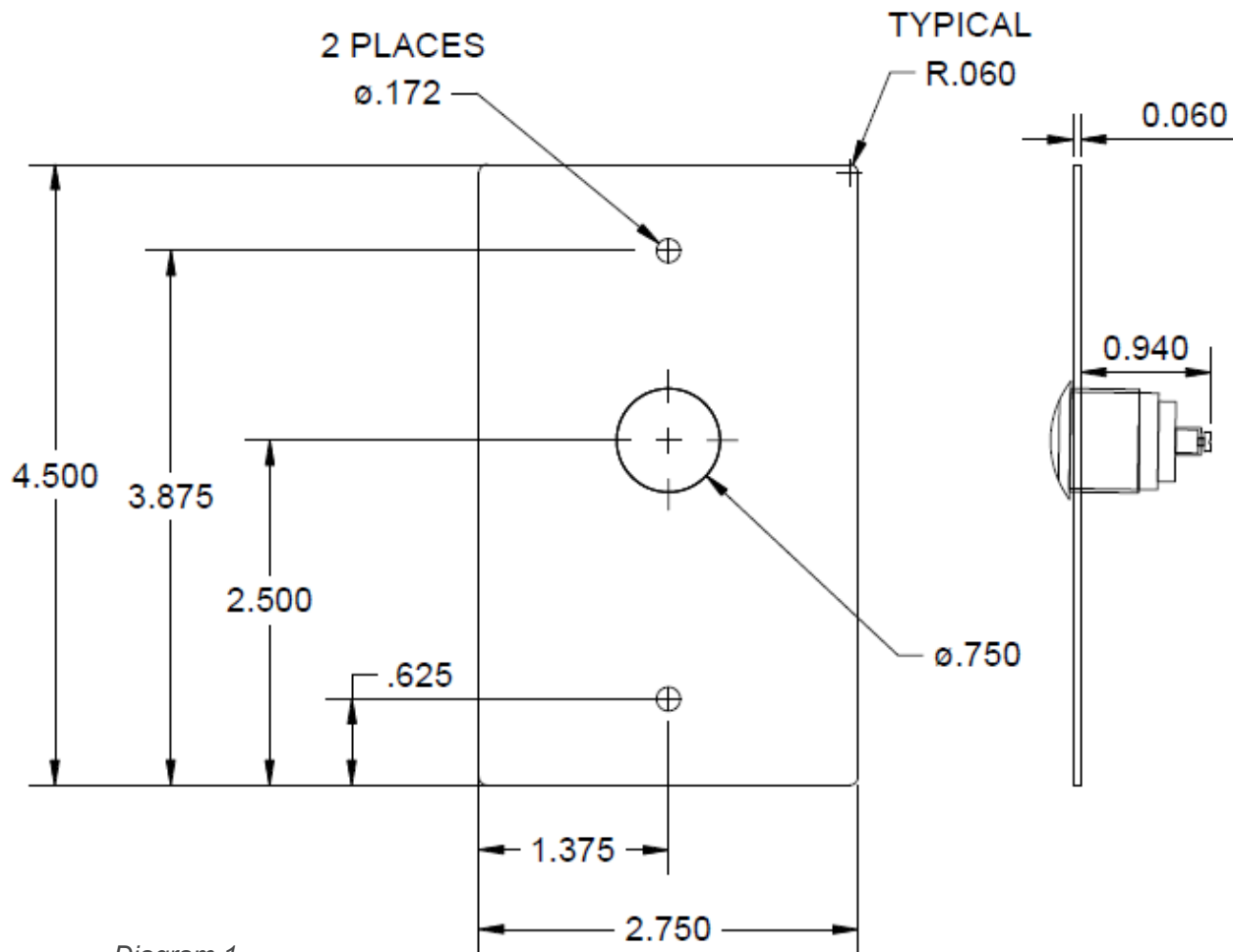


Diagram 1
Call Button Dimensions

Call Button Capabilities

Functions:

- Intercom
- Dial out pre-programmed number
- Alarm trigger
- Trigger sound masking
- Trigger pre-programmed text
- Page or all-call
- Trigger privacy mode

Dual Commands:

- Supports up to two commands
- Commands programmable as:
 - 1: Button push and release
 - 2: Button push and hold

