

Smart IP Button

IPBTN

OVERVIEW

The Smart IP Button (IPBTN) is a Power over Ethernet (PoE) device that connects to existing data networks. Use this SIP-enabled device to trigger a notification.

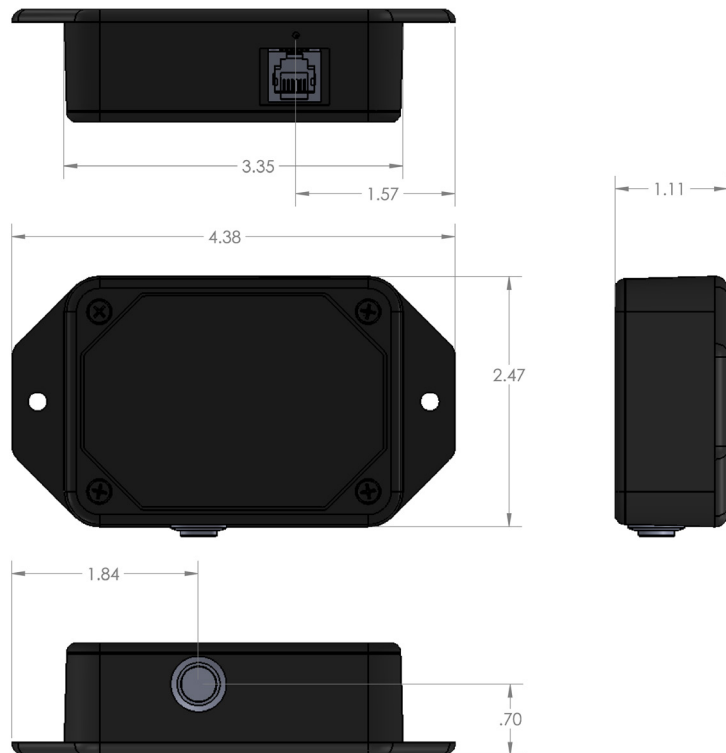
As the smallest IP button in the industry, the device easily mounts under a table, desk, or in any discrete location. The button can make a call to a preset phone or extension number.

APPLICATIONS

The IPBTN device provides a simple and effective way to send signals or notification over the network, helpful in any industry with facilities in need of mass notification functionality:

Education
 Healthcare
 Banking / Corporate

Manufacturing / Industrial
 Distribution / Transportation
 Government / Municipal



FEATURES

Built-In Web Server

- Simple setup via web interface or configuration file
- Use existing data networks
- Compatible with IPClockWise and other third-party software
- SIP-enabled
- HTTP support
- Configurable remotely
- Field upgradable

Easy Installation

- Requires PoE CAT 5 connection to network (up to 300 ft)
- Dimensions (including mounting points) 4.25" W x 1" H x 2.25" D



CONFIGURATION OPTIONS

FUNCTION	ONBOARD SETTINGS	CONGIFIGATION FILE SETTINGS
<p>Default Settings</p> <p>Initial settings for button SIP functionality.</p>	<p>To view default settings, access web server for the device.</p> <ul style="list-style-type: none"> Go to Device Settings --> SIP. SIP Mode: "Button" Push-to-Talk 1 Trigger Only: "Yes" 	<p>If using a configuration file, you must include the following settings in the SIPConfig tag:</p> <pre><SIPConfig SIP_mode="button" push_to_talk_ip1_trigger_mode="1" /></pre>
<p>Registered SIP Call</p> <p>Register the Smart IP Button device to a SIP server to call a SIP phone or ring a group.</p>	<ul style="list-style-type: none"> Go to Device Settings --> SIP. Under SIP GPIO Input Action Settings, set Push-to-Talk 1 to the SIP extension the button should call. Select Save and Apply to save changes. 	<p>Add the following parameter to the SIPConfig tag (values included for example):</p> <pre><SIPConfig push_to_talk_ip1="300" /></pre>
<p>Push and Hold SIP Call</p> <p>In addition to the Push-to-Talk call, configure a second action (registered or direct SIP call) to dial a different SIP extension when holding the button for a specified time or longer.</p>	<ul style="list-style-type: none"> Go to Device Settings --> SIP. Under SIP GPIO Input Action Settings, set Push-to-Talk 1 Alternate to the SIP extension the button should call when held for the desired duration. Set Push-to-Talk 1 Alternate Hold Time to the desired duration (in milliseconds) to hold the button to trigger the call. Select Save and Apply to save changes. 	<p>Add the following parameter to the SIPConfig tag (values included for example):</p> <pre><SIPConfig push_to_talk_ip1_alt="301" push_to_talk_ip1_alt_ms="2000" /></pre>
<p>Direct SIP Call</p> <p>Call a SIP phone directly without registration to a SIP server.</p>	<ul style="list-style-type: none"> Go to Device Settings --> SIP. Under SIP GPIO Input Action Settings, set Push-to-Talk 1 to the SIP extension as follows: sip:extension@server_ip_address (e.g., sip:301@10.10.7.168) Select Save and Apply to save changes. 	<p>Add the following parameter to the SIPConfig tag (values included for example):</p> <pre><SIPConfig push_to_talk_ip1="sip:301@10.10.7.168" /></pre>
<p>HTTP Callback</p> <p>Send an HTTP GET to IPClockWise or a third-party software solution.</p>	<ul style="list-style-type: none"> Go to Device Settings --> Servers Set GPIO Callback URL to the HTTP string to be sent. Select Save and Apply to save changes. <p>See IPClockWise manual to configure an alert to trigger on this callback.</p>	<p>Add the following parameter to the GPIO_callback tag (values included for example):</p> <pre><GPIO_callback url="http://10.10.7.168:8089/" /></pre>

SPECIFICATIONS

Ethernet I/F	10/100 Mbps	Audio Payload Types	G711, A-law and μ -law
Supported Protocols	SIP, IPv4, HTTP, SLP, NTP, DHCP, IGMP, ICMP, TCP/IP, UDP	Dimensions	4.25" W x 1" H x 2.25" D
Power Input	PoE 802.3af or PoE+ 802.3af	Weight / Boxed Weight	3.4 oz (96 g) / 5.4 oz (153 g)
Operating Temperature	-10° to 50° C (14° to 122° F)	Warranty	2 Year Limited

