

## Flush-Mount IP Speaker

# IPSWS-FM

### OVERVIEW

The IP Speaker functions as a Power over Ethernet (PoE / PoE+) loudspeaker, and connects to existing data networks. Broadcast simultaneously to both phones and speakers. The built-in microphone and speaker allow for two-way communications.

### CAPABILITIES

#### Audio

- High-efficiency 8" PA speaker
- Optional ancillary 8-ohm speaker
- Bell scheduling, alerts, reminders, and clock chimes via IPClockWise or third-party software
- Voice paging from a PC or IP phone; scheduled or ad hoc
- Notifications, alarms, and audio files provided, or create your own

#### Microphone

- Monitoring
- Two-way talk and intercom
- Paging supervision
- Hands-free talk back



### FEATURES

#### Built-In Web Server

- Send alerts and broadcast messages to the device from the web page
- Configurable volume
- Device Status
- Field upgradable

#### Easy Installation

- Requires PoE CAT 5 connection to network (up to 300 ft)
- No power cord or other equipment needed

#### Multicast

- Full multicast and broadcast support
- Send audio to individual, multiple, or all devices simultaneously

#### Line In / Line Out

- Independent Line In
- Can configure to send Line In audio to the speaker and/or broadcast to additional speakers

#### GPIO

- 2 inputs / 1 output
- Activate multiple ways including via telephone or via program

#### Sound Masking

- Generate configurable pink noise via push button or program

#### Two-Way Communication

- Activate via push button
- Allows for full duplex hands-free communication / optional button for push to talk capability
- Interoperates with Cisco and other VoIP network and phones

## SOFTWARE OPTIONS

AND devices can operate standalone. They do not require external software for atomic timekeeping or sending text messages from the device's web server. However, you can use application software to take advantage of the device capabilities, and then integrate the devices into applications like a mass notification system, a phone network, etc.

### AND IPClockWise (Developed and Supported by AND)

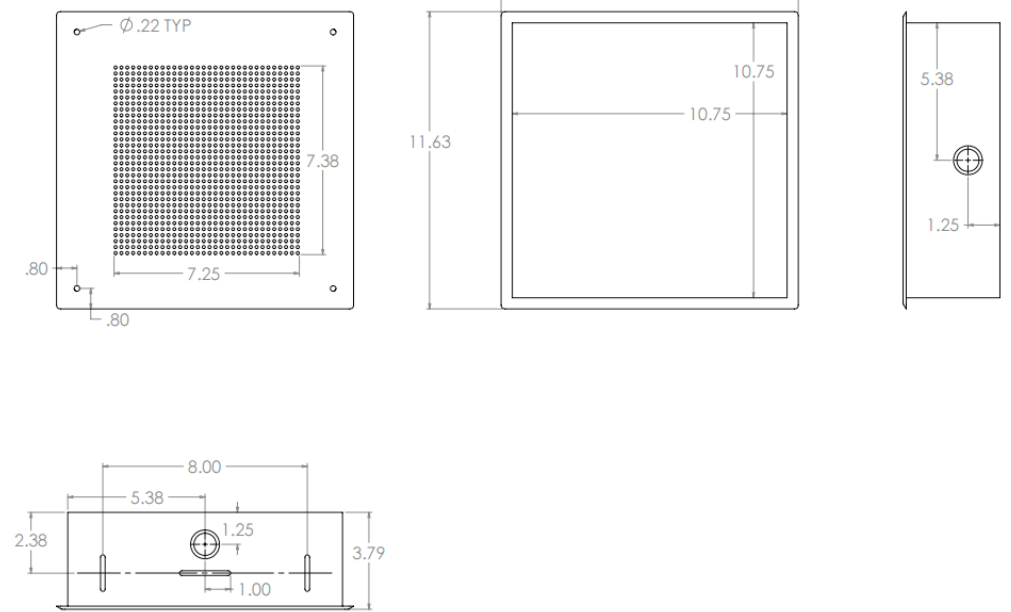
- Instantly finds and provides controls for all of your AND devices.
- Provides a clock / alarm feature that supports scheduling events, alarms, stopwatch, and timer, with an optional sound library.
- Sends news / RSS / Twitter / weather / stock feeds, etc. to AND devices with a display.

### Third-Party Software

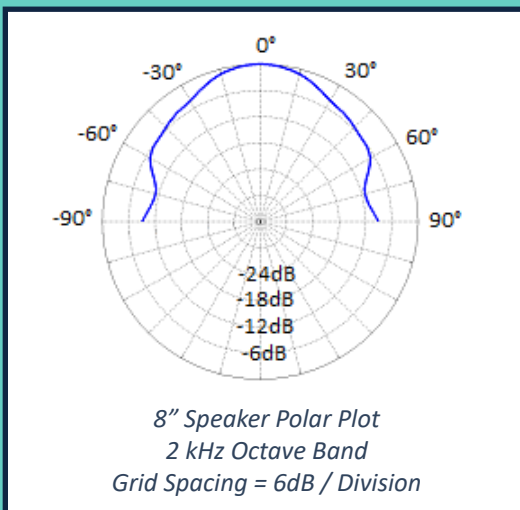
- AND maintains a long-standing relationship with various third party software providers.
- AND devices support Informacast (Singlewire), SA-Announce (Syn-Apps), IPSession (IPCelerate), MessageNet Systems, BellComander (Acro Vista), and others.
- AND devices will work with SIP-compatible products / PBX, such as Asterisk, 3CX, ShoreTel, etc.

**NOTE:** AND IPClockWise and third-party software can run concurrently.

## DIMENSIONS



## SPECIFICATIONS



Ethernet I/F	10/100 Mbps
Audio Power	8 W / 16 W
Speaker Size	8"
Average Sensitivity	95dB, 1W / 1M
Frequency Response	60 Hz - 17 kHz
Audio Payload Types	G711, A-law and $\mu$ -law
Power Input	PoE (IEEE802.3af) 15.4 W or PoE+ (IEEE802.3at) 30.0 W
Supported Protocols	SIP, IPv4, HTTP, SLP, TFTP, NTP, SNMPV1 & SNMPV2c, DHCP, IGMP, ICMP, TCP/IP, UDP, MDNS & MDNS-SD
Operating Temperature	-10° to 50° C (14° to 122° F)
Dimensions	11.63" W x 11.63" H x 3.79" D
Weight	9 lbs (4.1 kg)
Warranty	2 Year Limited