



OVERVIEW

The PoE Indoor IP Strobe (IPSTROBE-I) provides an additional mode of emergency notification or alert messaging.

SIP INTEGRATION



SIP ring detection alert

SOFTWARE



Diagnostic software included
Compatible with third-party
software, including InformaCast,
Revolution, and Cisco CallManager

SOLUTIONS

- Code alerts
- Emergency notification
- Security monitoring

ADDITIONAL FEATURES

- Built-in web server
- Full multicast and broadcast support
- Requires Cat5 or Cat6 cable
- Ships with blue lens

ACCESSORIES & MOUNTING

Color Lenses from System Sensor
Yellow, Green, Red
(Blue lens included)

Junction Box
Standard junction box required for
mounting
Module dimensions: 3.34" W x 1.11" H x 2.56" D

SOFTWARE

The IPSTROBE-I integrates easily with third-party mass notification software, as well as SIP and VoIP phone systems, enabling a facility to take advantage of all the device capabilities. The device also comes with diagnostic software (compatible to run alongside third-party software), and an on-board web server interface, both which provide the ability to monitor and troubleshoot the ANetD devices on the network.

Third-Party Software

- InformaCast (Singlewire)
- Revolution (Syn-Apps)
- IPSession (IPCelerate)
- MessageNet Systems
- BellComander (Acro Vista)
- And more!

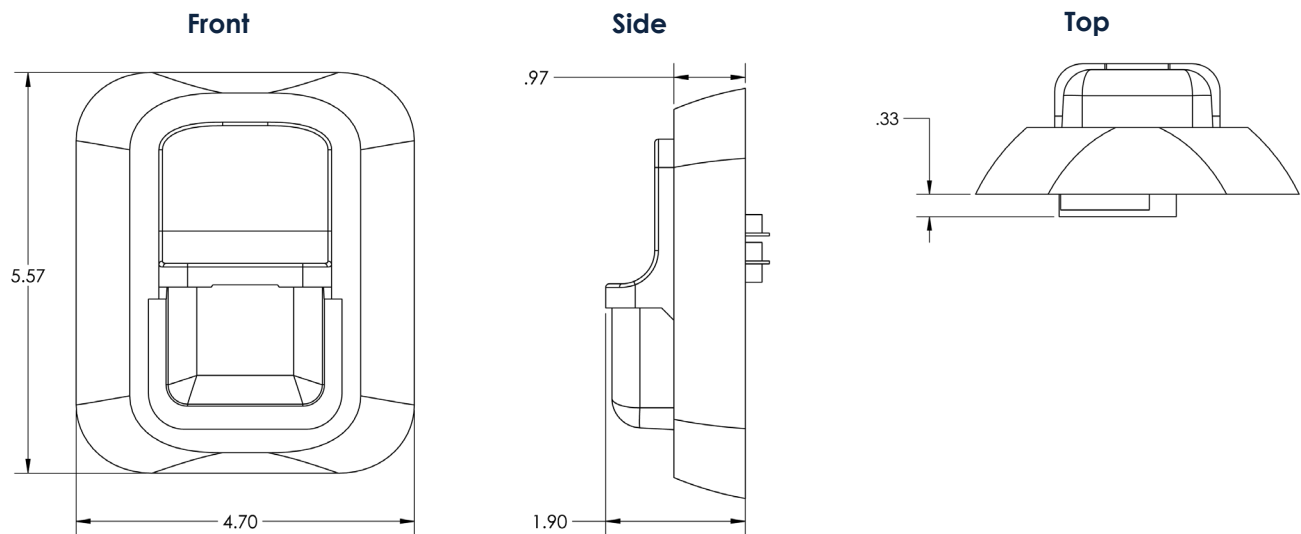
VoIP Phone Systems

- Cisco CallManager
- Mitel
- Avaya
- 3CX
- Polycom
- And more!

IPClockWise

- Diagnostic tool included with device purchase
- Complements investment in third-party software
- Developed and supported by Advanced Network Devices

DIMENSIONS



SPECIFICATIONS	IPSTROBE-I
ETHERNET I/F	10/100 Mbps
FLASH RATE	1 Flash per Second
LUMINOUS INTENSITY	15/75 Candela
POWER INPUT	PoE (IEEE802.3af) 15.4 W or PoE+ (IEEE802.3at) 30.0 W
SUPPORTED PROTOCOLS	SIP, IPv4, IPv6, 802.1X, HTTP, SLP, TFTP, NTP, SNMPV1 & SNMPV2c, DHCP, IGMP, ICMP, TCP/IP, LLDP-MED, UDP, MDNS & MDNS-SD
OPERATING TEMPERATURE	0° TO 49° C (32° TO 120° F)
HUMIDITY RANGE	10 to 93% Non-condensing
DIMENSIONS	Strobe: 4.7" W x 5.57" H x 1.9" D Module: 3.34" W x 1.11" H x 2.56" D
WEIGHT	2 lbs (0.91 kg)
WARRANTY	2 Year Limited

Due to continual product development, specifications are subject to change without notice.

