

INSTALLATION

The device ships with a ferrite for optional usage. For any concerns over line performance, wrap CAT5/CAT6 Ethernet cable around ferrite once and clamp shut.

IPSCM-RM-CB ASSEMBLY FOR SUSPENDED CEILINGS

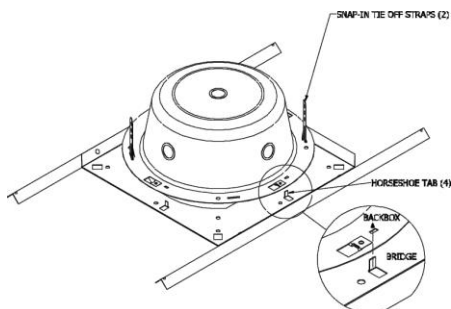
1. Align the IPSCM-RM-CB bridge on the tile, such that the support legs end at the tile edges, and mark along the round section; rotate bridge 90° to mark remainder of hole. Use caution when handling the bridge as it contains sharp edges.
2. Cut ceiling tile along the marked circle.
3. Place the IP speaker assembly on flat surface, magnet side up.
4. Center ceiling tile over the IPSCM-RMe speaker.
5. Place the IPSCM-RM-CB bridge over the baffle assembly with two studs of the speaker baffle running through the two small oval holes of the bridge.

6. Secure speaker assembly, tile, and IPSCM-RM-CB bridge together with the two #8-32 nuts provided in the bag attached to the speaker magnet.
7. Complete the network cable run to the IP speaker.
8. Install back box (IPSCM-RM-BB) if necessary, per instructions in next section.
9. Connect the network cable to Ethernet jack labeled PoE/PoE+.



10. Secure IPSCM-RM-BB back box if used, tie off unit to building structure if required using straps on the back box, then place entire assembly into ceiling.

IPSCM-RM-BB ASSEMBLY (OPTIONAL)



1. Remove knockout from desired location in IPSCM-RM-BB backbox.
2. Bend up 4 horseshoe tabs on IPSCM-RM-CB bridge until they are perpendicular to bridge surface.
3. Run wiring, and conduit if necessary, through the knockout and make proper connections to the IP speaker.
4. Push snap-in tie off straps through holes in rim of IPSCM-RM-BB backbox (where required).
5. Secure IPSCM-RM-BB back box to IPSCM-RM-CB bridge by inserting horseshoe tabs through the appropriate slots in the back box and twist with pliers.

IPSCM-RM-DB ASSEMBLY FOR SHEETROCK CEILINGS

1. Cut out an 8-1/2" diameter hole in the ceiling where the speaker is to be installed.
2. Remove the #8-32 nut from the speaker stud nearest the speaker terminals and the nut on the

opposite end of the speaker, and then insert two IPSCM-RM-DB dry wall clips onto those studs as shown. Re-secure the clips to the baffle using the two nuts.



3. Make proper connections to the IP speaker per the IPSCM-RM-CB instructions.
4. Holding a clip temporarily open, slide one side of the unit into the ceiling cavity, then slowly release the clip. Open the second clip and slide the remainder of the assembly into the cavity and release the clip to secure the assembly to the ceiling surface. Use caution when handling and opening the clips as they contain sharp edges.

RESOURCES

User Support:

<https://www.anetd.com/user-support/>

Customer Portal:

<https://www.anetd.com/portal/>

Technical Resources:

<https://www.anetd.com/user-support/technical-resources/>

AND Legal Disclaimer:

<https://www.anetd.com/legal/>