

IP PoE Double Sided Digital Clocks

VIP-D425DS, 4 Digit, 2.5" Display, VIP-D440DS, 4 Digit, 4.0" Display
VIP-D625DS, 6 Digit, 2.5" Display, VIP-D640DS, 6 Digit, 4.0" Display

INTRODUCTION

The VIP-D425DS 4 Digit, 2.5 inch, VIP-D440DS 4 Digit, 4.0 inch, VIP-D625DS 6 Digit, 2.5 inch, and VIP-D640DS 6 Digit, 4.0 inch Clock Displays enable time indication, synchronization, and correction over an IP-based LAN/WAN. This allows locating a clock display anywhere on the network. Clock synchronization is initiated via connection to a factory preprogrammed internet time server or can be programmed to sync with any NTP (Network Time Protocol) server. The enclosure is made of steel with a durable powder coated finish. The color of the enclosure can easily be changed to match any décor. Power is provided to the digital clocks via a Power over Ethernet (PoE) switch meeting the 802.3af specification. Only one network connection is required, supplying power and data to both clock displays.



Nominal Power Requirements

802.3af PoE

Class 3

Environment

Temperature:

0 to +40° C

Humidity:

0 to 85% non-precipitating

Packing List

Qty.	Item
1	Double Sided Digital Clock
1	Mounting Bracket
4	Mounting Bracket Screws w/Nuts
1	VSP Document
1	VIP Setup CD

SPECIFICATIONS

Features

- Easy to read, high visibility Red 2.5" or 4.0" digits display hours and minutes
- Selectable 12 or 24 hour format
- 802.3af Power over Ethernet (PoE) compatible
- High Efficiency

DIMENSIONS/WEIGHT

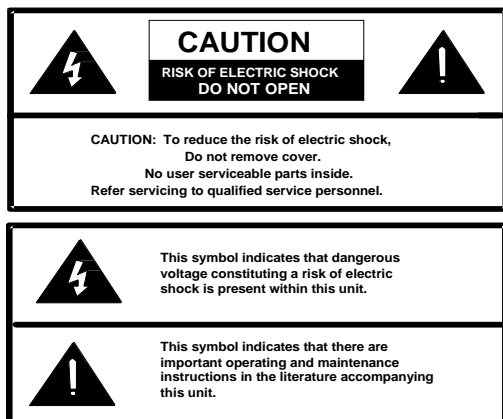
- VIP-D425DS: 11.50" L x 4.25" W x 5.50" H (29.21cm L x 10.80cm W x 13.97cm H)
Weight: 5.9 LBS (2.68 kg)
- VIP-D440DS: 17.38" L x 4.25" W x 6.85" H (44.15cm L x 10.80cm W x 17.40cm H)
Weight: 9.1 LBS (4.14 kg)
- VIP-D625DS: 16.12" L x 4.25" W x 5.50" H (40.94cm L x 10.80cm W x 13.97cm H)
Weight: 7.3 LBS (3.32 kg)
- VIP-D640DS: 25.25" L x 4.25" W x 6.85" H (64.14cm L x 10.80cm W x 17.40cm H)
Weight: 12 LBS (5.45 kg)

INSTALLATION

FCC Information

This equipment has been tested and found to comply with the limits for a Class A digital device, pursuant to Part 15 of the FCC Rules. These limits are designed to provide reasonable protection against harmful interference when the equipment is operated in a commercial environment. This equipment generates, uses and can radiate radio frequency energy and if not installed and used in accordance with the instruction manual, may cause harmful interference to radio communications. Operation of this equipment in a residential area may cause harmful interference in which case the user will be required to correct the interference at one's own expense.

Precautionary Designations



MOUNTING

The Digital Clocks have mounting holes predrilled in the end and top of the housing, for use with the included mounting bracket. Additionally, an optional bridge adapter (model V-9914M-5) is available for use with tile ceilings.

For ease of installation, the digital clock displays should be removed from the housing before mounting. Using Figure 1 as a guide, remove the four screws holding the clock display to the housing. Carefully pull the clock display away from the housing, then remove the two wire connectors from the back of the display. Using the same process, remove the second clock display.

For end mounting, securely attach the mounting bracket to the end of the clock housing using the four screws and nuts provided. Refer to Figure 2 for details.

For top mounting with the included bracket, refer to Figure 3. First, remove two screws holding the blanking plate from the top mounting holes, and reinstall the blanking plate to cover the end mounting holes. Securely attach the mounting bracket to the top of the clock housing using the four screws and nuts provided.

For top mounting using the optional V-9914M-5 ceiling bridge, use the mounting instructions provided with the bridge but do not cut the 8.5" speaker hole in the ceiling tile. Instead, cut a 1" hole centered within the bridge opening for the network and seismic cables. Using appropriate screws and nuts (not provided), attach the clock housing to the V-9914M-5 bridge with the ceiling tile between the bridge and the clock housing. Refer to Figure 4.

Feed the network cable and seismic cable (if used) through the cutout in the clock housing before attaching to the wall or ceiling. Position the clock housing in the final mounting location and securely attach to the wall or ceiling with appropriate fasteners through the four mounting holes in the bracket.

Reinstall the clock displays into the clock housing, using Figure 1 as a guide. Insert the RJ-45 connector into the network connection on the clock display board as shown in Figure 5, then slide the display onto the housing and secure with the four screws removed previously. Pull the signal wires through the housing and reattach to the second clock display. The connectors are color marked, and must be reattached to the matching connector on the clock display. Make sure all wires are inside the housing, then slide the second clock display onto the housing. Secure with the four screws previously removed.

PROGRAMMING

Programming software is included. Connect the clock to a PoE switch and scan for the device using the VIP-102B IP Solutions Setup Tool. Enter the appropriate network configuration, such as a static IP address or select DHCP. A default internet time server IP address is preprogrammed, or a different NTP Server address may be assigned. The appropriate time zone should be set.

TECHNICAL ASSISTANCE

When trouble is reported, verify power is being supplied to the unit and there are no broken connections. If a spare unit is available, substitute a spare unit for the suspected defective unit.

Assistance in troubleshooting is available from the factory. Call (540) 563-2000 and press 1 for Technical Support or via email at support@valcom.com

When requesting assistance, you should include all available information. It is strongly suggested that you go to the web site and review the documentation at <http://www.valcom.com>.

Valcom equipment is not field-repairable. Valcom, Inc. maintains service facilities in Roanoke, VA. Should repairs be necessary, attach a tag to the unit clearly stating your company name, address, phone number, contact person and the nature of the problem. Send the unit to:

Valcom, Inc.
Repair & Return Dept.
5614 Hollins Road
Roanoke, Va. 24019-5056

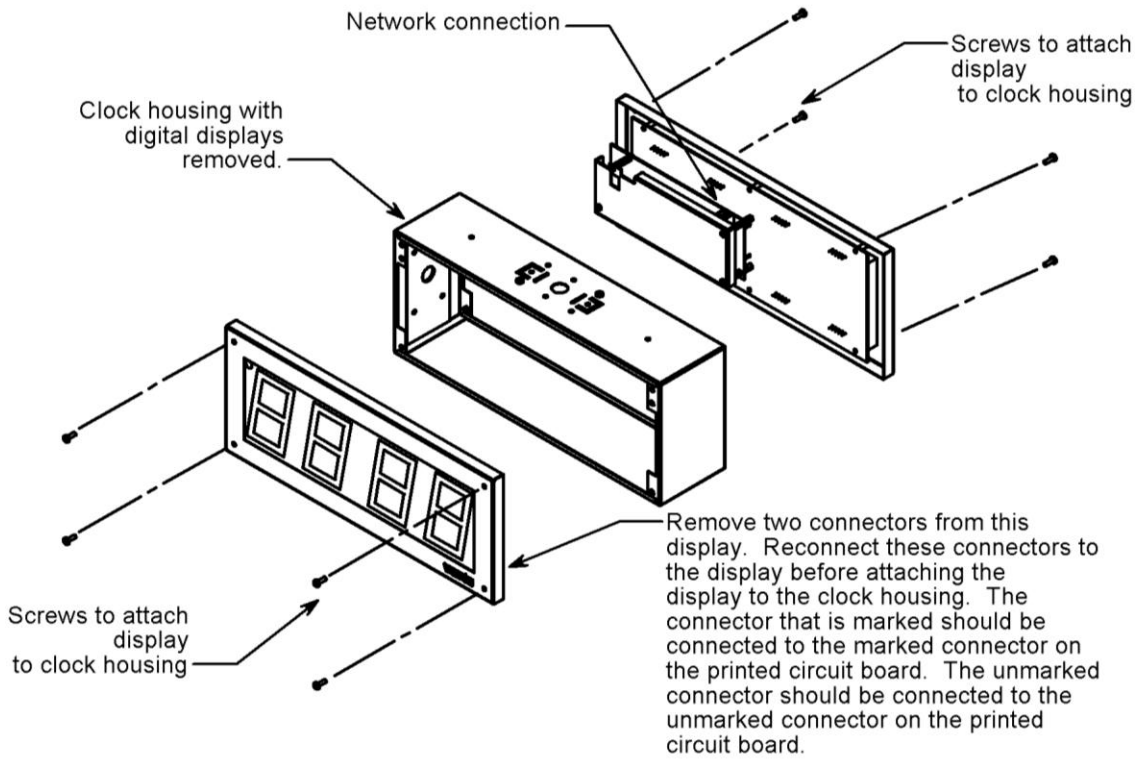


Figure 1. IP Digital Double Sided Clock Wiring and Display Diagram

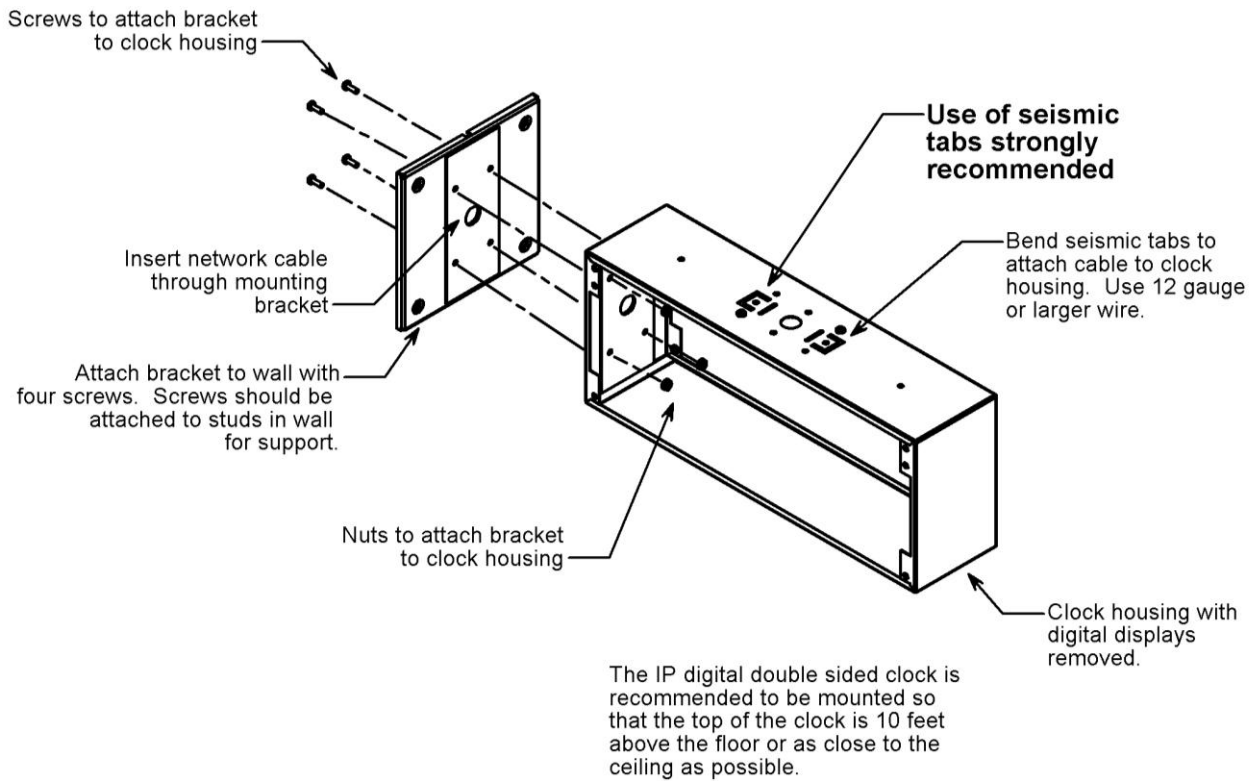


Figure 2. IP Digital Double Sided Clock Wall Mount Diagram

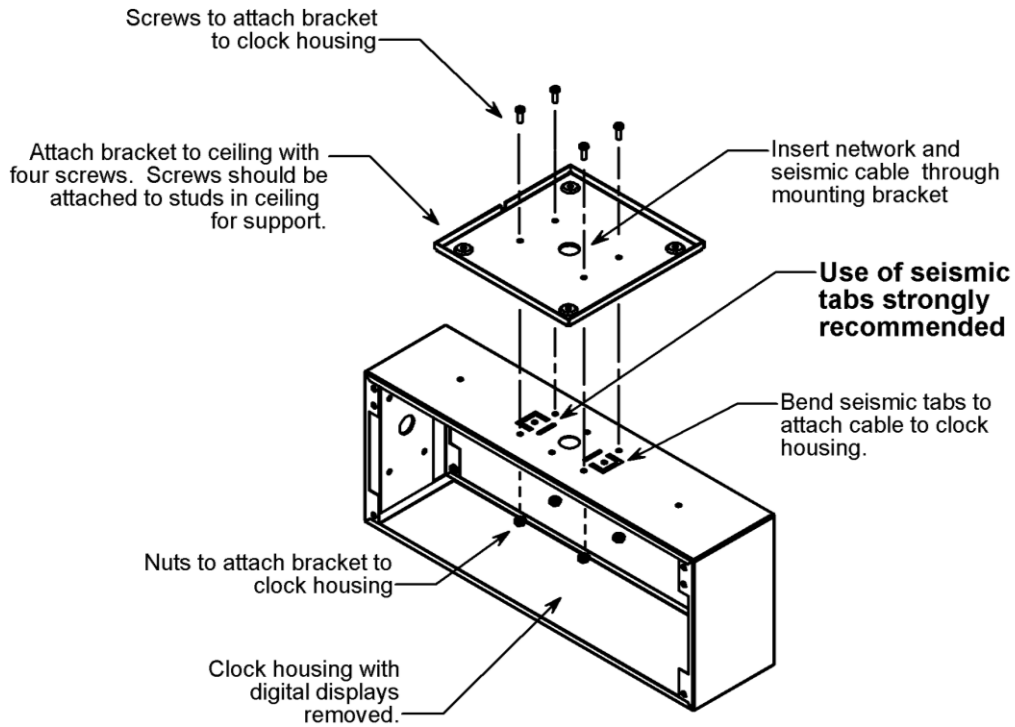


Figure 3. IP Double Sided Clock Ceiling Mount Diagram

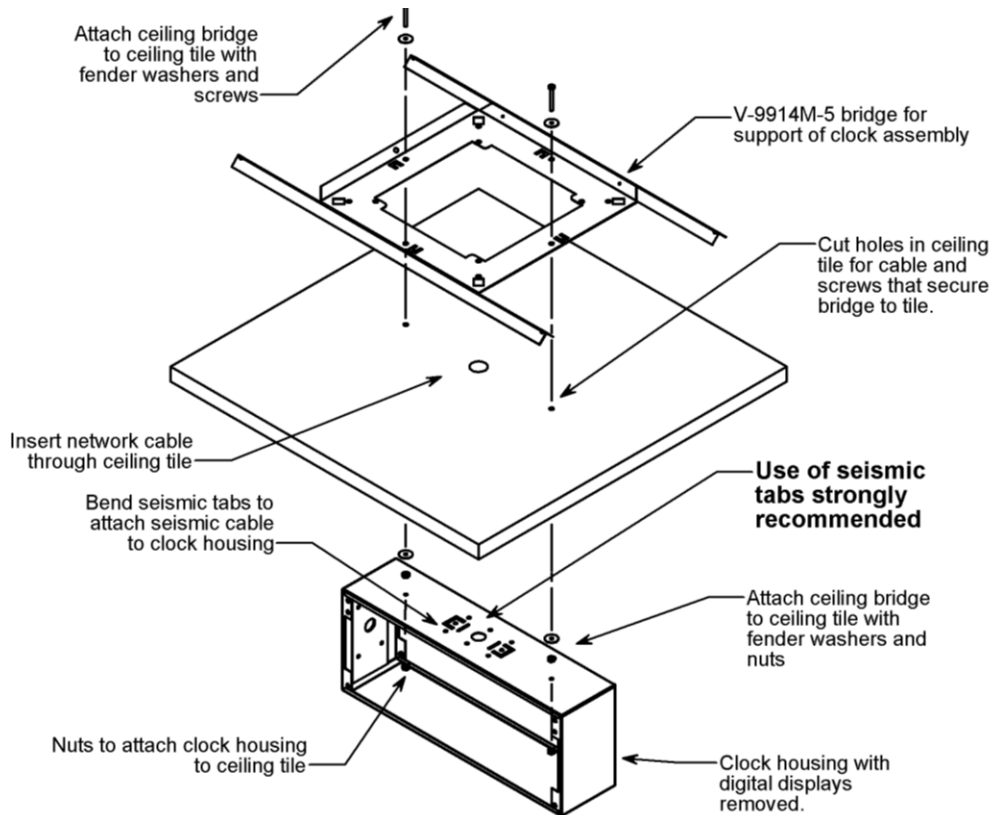


Figure 4. IP Digital Double Sided Clock Ceiling Mount with Optional Bridge Diagram (for D440DS, D625DS, D640DS only) (not for D425DS)

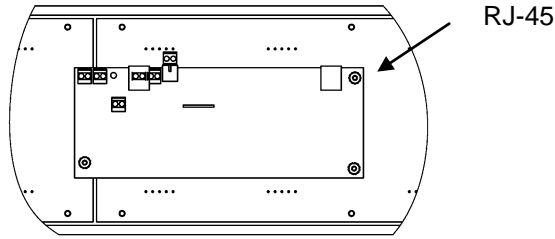


Figure 5. Network Connection

VALCOM LIMITED WARRANTY

Valcom, Inc. warrants its products only to the original purchaser, for its own use, to be free from defects in materials and workmanship under conditions of normal use and service for a period of one year from the date of shipment. This Limited Warranty obligation shall be limited to the replacement, repair or refund of any such defective device within the warranty period, provided that:

1. inspection by Valcom, Inc. indicates the validity of the claim;
2. the defect is not the result of damage, misuse or negligence after the original shipment;
3. the product has not been altered in any way or repaired by others and that factory sealed units are unopened (a service charge plus parts and labor will be applied to units defaced or physically damaged);
4. freight charges for the return of products to Valcom are prepaid;
5. all units 'out of warranty' are subject to a service charge. The service charge will cover minor repairs (major repairs will be subject to additional charges for parts and labor).

This Limited Warranty is in lieu of and excludes all other warranties, expressed or implied and in no event shall Valcom, Inc. be liable for any anticipated profits, consequential damages, loss of time or other losses incurred by the buyer in connection with the purchase, operation, maintenance, installation, removal or use of the product. The maximum liability of Valcom under this warranty is limited to the purchase price of the specific Product covered by the warranty.

Disclaimer. Except for the Limited Warranty provided herein, the product is provided "as-is" without any warranty of any kind whatsoever including, without limitation, any **WARRANTY OF MERCHANTABILITY, FITNESS FOR A PARTICULAR PURPOSE OR NON-INFRINGEMENT.**

This warranty specifically excludes damage incurred in shipment. In the event a product is received in damaged condition, the carrier should be notified immediately. Claims for such damage should be filed with the carrier involved in accordance with the F.O.B. point.

Headquarters:
Valcom, Inc.
5614 Hollins Road Roanoke, VA 24019-5056
Phone: (540) 563-2000 FAX: (540) 362-9800