



IPSCM-RM

Standard Round Ceiling Speaker (1 endpoint, 2 speakers)

IP Speaker Overview

Advanced Network Device's (AND) IP Speaker is a Power over Ethernet (PoE, PoE+) 2-speaker loudspeaker system that requires only one RJ-45 connector to connect both to existing data networks. It is a single IP endpoint with 2 co-located speakers. Simultaneously broadcast to both phones and speakers.

Mounting Options



IPSCM-RM-DB
Drywall Brackets



IPSCM-RM-CB
Drop Ceiling Mount

Enclosure



IPSCM-RM-BB
Round Back Box

Features

Built in Web Server:

- Configurable volume
- Device status
- Field upgradable

Easy Installation:

- Only requires CAT 5 connection (up to 300ft) to network
- Power over Ethernet (no power cord or adapter). No other equipment needed
- 2nd speaker is attached to 1st with simple two conductor cable

GPIO:

- 2 inputs, 1 output
- Can be activated multiple ways including via telephone or programmatically.

Line In/ Out:

- Independent line-in.
- Can be configured to send line in audio to the speaker and/or add additional speakers

Multicast:

- Full multicast and broadcast support. Send audio to individual, multiple, or all devices simultaneously.

Sound Masking:

- Generate configurable pink noise via push button or programmatically.

Mounting/Enclosure Options:

- IPSCM-RM-DB, clips for drywall installations
- IPSCM-RM-CB, tile brace for drop ceiling installations
- IPSCM-RM-BB, optional back enclosure
- Standard 8 ft. ceiling: speakers can be placed 16 ft. apart
- Standard 10 ft. ceiling: speakers can be placed 20 ft. apart

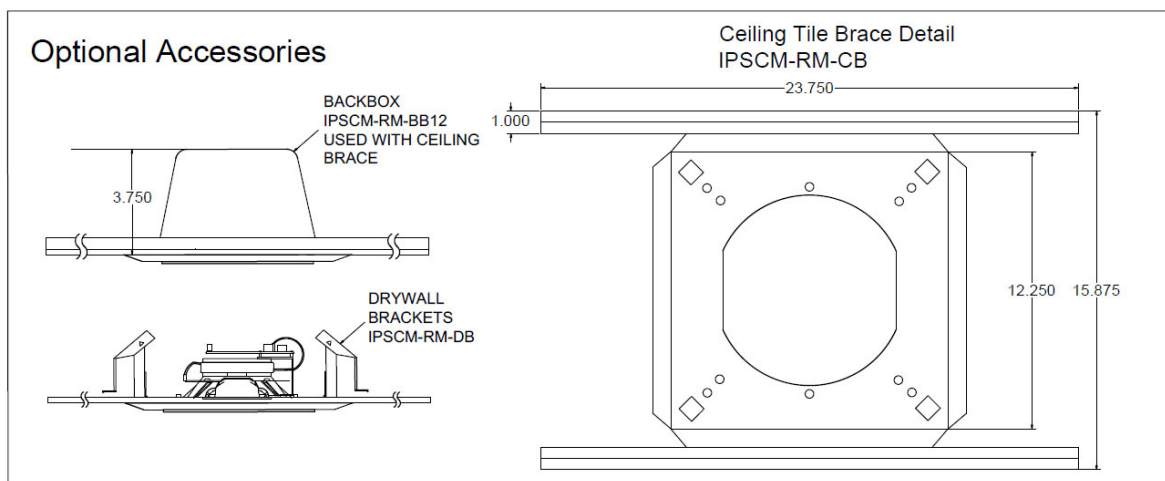
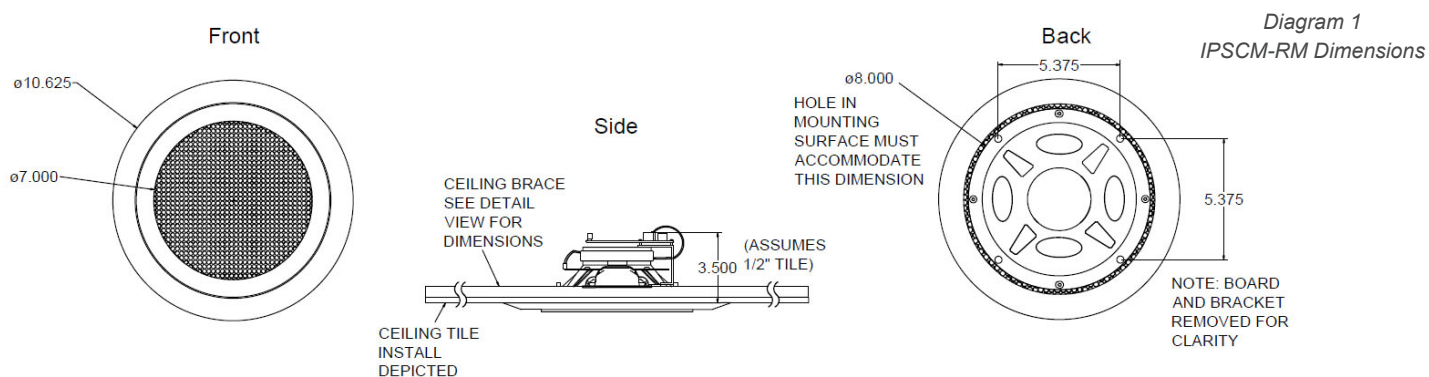


IPSCM-RM



Software Options

- AND devices can operate standalone and do not require external software for atomic timekeeping and sending text messages from the device's web server. However, application software can be used to take advantage of the device capabilities which can then be integrated into applications like mass notification system, a phone network, etc.
- **AND Clockwise: Developed and Supported by AND.** Instantly finds and provide controls for all of you AND devices. The software provides a clock/alarm feature that supports scheduling events, alarms, stopwatch, timer with an optional sound library. It also send News/RSS/Twitter/Weather/Stock feeds, etc. messages to AND devices with a display.
- **Third Party Software:** AND has had a long standing relationship with various third party software providers. AND devices support Informacast (Singlewire), SA-Announce (Syn-Apps), IPSession (IPCelerate), MessageNet Systems, BellComander (Acro Vista), and others. AND devices will work with SIP-compatible products/PBX, such as Asterisk, 3CX, ShoreTel, etc.
- **NOTE: AND Clockwise and 3rd Party Software can run concurrently**



Specifications

- Weight: 4 lbs
- Speaker Size: 8"
- Average Sensitivity: 95dB, 1W/1M
- Audio Power: 8 W/16 W
- Frequency Response: 60 Hz-17 kHz
- PoE (IEEE802.3af) 15.4 W
- PoE+ (IEEE802.3at) 30.0 W
- 10/100 Mb network connection

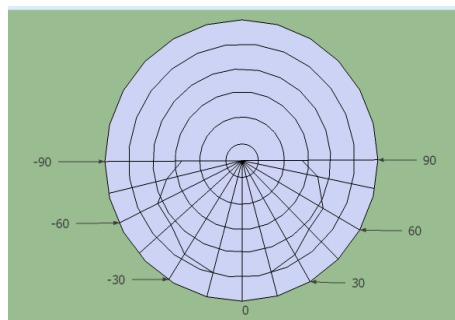


Diagram 2
8" Speaker Polar Plot
2 kHz Octave Band,
Grid Spacing = 6dB/Division

Supported Protocols

- SIP
- IPv4
- HTTP
- SLP
- TFTP
- NTP
- SNMPV1 & SNMPV2c
- DHCP
- IGMP
- ICMP
- TCP/IP
- UDP
- MDNS and MDNS-SD

