

H601/H601W

i501/i501W

Quick Installation Guide

Fanvil Technology Co., Ltd
www.fanvil.com

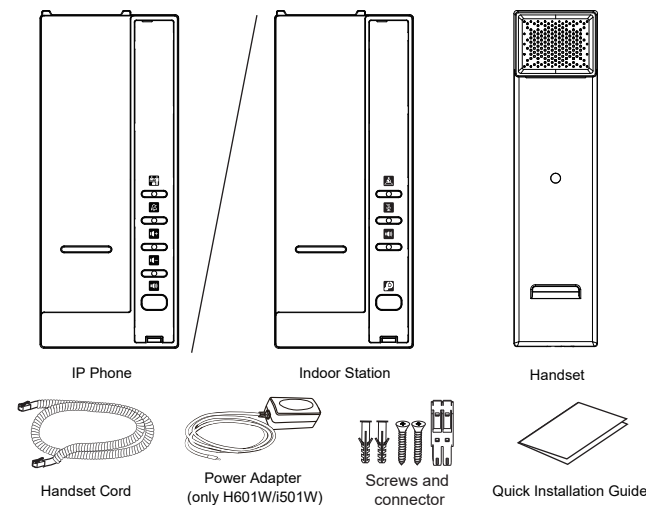
Precautions

1. Do not reboot the device during the system boot up or firmware upgrade process. It may damage the firmware image and cause the device malfunction.
2. Please use the power adapter provided with the device. Using other unqualified power adapters may damage the device.

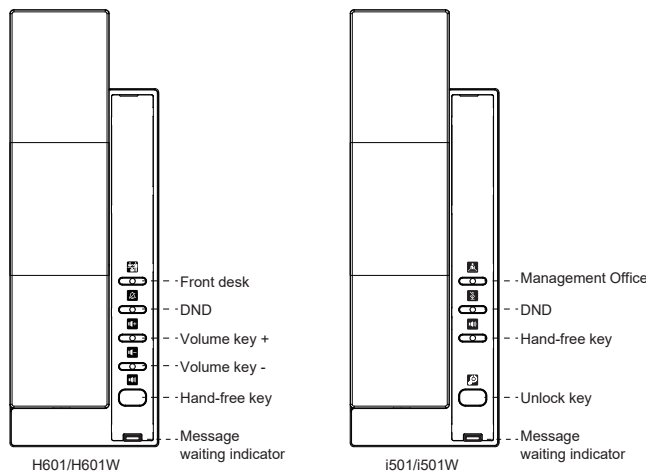
Overview

The Fanvil H601/H601W/i501/i501W, as a high-cost-performance IP series product, supports HD voice and is equipped with shortcut call keys, making it suitable for hotel, residential, and hallway applications. The H601/i501 supports PoE power supply, while the H601W/i501W features built-in 2.4G&5GHz (Wi-Fi 6), which reduces deployment costs while providing a high-quality user experience.

Packaging list



Keys description



Note: You can contact your service provider for additional settings that may be necessary to configure the phone, or download the user manual and FAQ for more detailed information.

Device installation

Please follow the instructions in below picture to install the device.

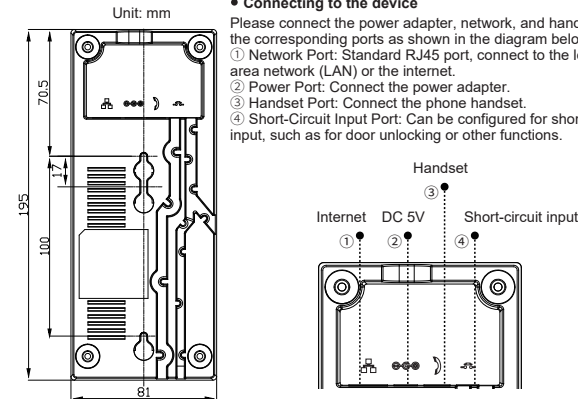
• Wall mounting

1. Drill two holes in the wall, the vertical distance between the two holes is 100mm;
2. Drive in screw anchors and screws in turn; Note: 5mm is reserved between the screw cap and the wall for easy installation of the phone base;
3. Connect the Ethernet cord, handset cord and power;
4. Align the wall mounting holes on the base with the screws made in step 2, slide down to complete the installation.

• Connecting to the device

Please connect the power adapter, network, and handset to the corresponding ports as shown in the diagram below.

- ① Network Port: Standard RJ45 port, connect to the local area network (LAN) or the internet.
- ② Power Port: Connect the power adapter.
- ③ Handset Port: Connect the phone handset.
- ④ Short-Circuit Input Port: Can be configured for short-circuit input, such as for door unlocking or other functions.



Network connection

The H601W/i501W devices are pre-configured to connect to a network named "WiFi-device-ssid", with the default SSID password being "i<0%aY8+". After a successful connection, the power light will blink 5 times.

Method 1 (Customer selected W611W):

1. Enter [Advanced Settings] on the W611W, then go to [Share Wi-Fi] to enable the Wi-Fi sharing function and set the office network SSID and password. At this point, the W611W functions as an AP.
2. Power on the H601W/i501W devices.
3. After powering up, the W611W will push the office network SSID and password to the H601W/i501W, enabling them to connect to the office network. Once the Wi-Fi connection is successful, the power indicator will flash quickly 5 times.

Method 2 (Customer no W611W):

1. The user creates a Wi-Fi network with the SSID "WiFi-device-ssid" and the password "i<0%aY8+".
2. After powering on, the H601W/i501W device will automatically connect to this Wi-Fi.
3. Once the connection is successful, the power indicator will flash quickly 5 times. The Wi-Fi information of the H601W/i501W can be modified through automatic deployment to connect to the office network.
4. Wi-Fi module configuration file as shown:

```
<<VOIP CONFIG FILE>>Version:2.0000000000
<NET CONFIG MODULE>
--WiFiList--
Item1 WiFi Name      :Redmi K60
Item1 WiFi SSID     :Redmi K60
Item1 Secure Mode   :1
Item1 WiFi Encryption :1
Item1 WiFi User Name :
Item1 WiFi Password :12345678
<<END OF FILE>>
```

Configuration

1. **Obtain IP Address:** In standby mode, press and hold the "Front Desk Key" (H601/H601W) or "Management Office" (i501/i501W), and the IP address will be announced.
2. **Login:** Enter the IP address in a web browser. The computer and phone should be on the same IP address range. The default username is "admin" and the default password is "admin".
3. **Configuration:** Select network/account settings and fill in the relevant information.
4. Save Configuration.

Programmable key

1. **Login to the webpage:** Navigate to Function Key > Function Key, select the function key you want to configure, fill in the "Name" and "Value," and then submit the settings.
2. **H601/H601W:** There are 2 configurable function keys (the default functions are "Front Desk" and "Do Not Disturb").
3. **i501/i501W:** There are 3 configurable function keys (the default functions are "Management Office", "Do Not Disturb", and "Unlock Door").

Federal Communication Commission (FCC) — USA This device complies with Part 15 of FCC Rules. Operation is subject to the following two conditions: (1) this device may not cause harmful interference, and (2) this device must accept any interference received; including interference that may cause undesired operation. This equipment has been tested and found to comply with the limits for a Class B digital device, pursuant to Part 15 of the FCC Rules. These limits are designed to provide reasonable protection against harmful interference in residential installation. This equipment generates, uses, and can radiate radio frequency energy, and if it is not installed and used in accordance with the instruction manual, it may cause harmful interference to radio communications. However, there is no guarantee that interference will not occur in a particular installation. If this equipment does cause harmful interference to radio or television reception, which can be determined by turning the equipment off and on, the user is encouraged to try to correct the interference by one or more of the following measures:
• Reorient or relocate the receiving antenna.
• Increase the separation between the equipment and receiver.
• Connect the equipment into an outlet on a circuit different from that to which the receiver is connected.
• Consult the dealer or an experienced radio/TV technician for help.

Warning: Any changes or modifications to this unit not expressly approved by the party responsible for compliance could void the user's authority to operate the equipment.
FCC Radiation Exposure Statement: The equipment complies with FCC Radiation exposure limits set forth for uncontrolled environment. This equipment should be installed and operated with minimum distance 20cm between the radiator and your body.

This equipment complies with Part 68 of the FCC rules and the requirements adopted by the ACTA. On the bottom of this equipment is a label that contains, among other information, a product identifier in the format US: XXXXXXXXXXXX If requested, this number must be provided to the telephone company.

Fanvil Technology Co., Ltd
Website: www.fanvil.com
E-Mail: sales@fanvil.com support@fanvil.com
Tel: +86-755-2640-2199 Fax: +86-755-2640-2618
Add: 10/F Block A, Dualshine Global Science Innovation Center,
Honglang North 2nd Road, Bao'an District, Shenzhen, China