



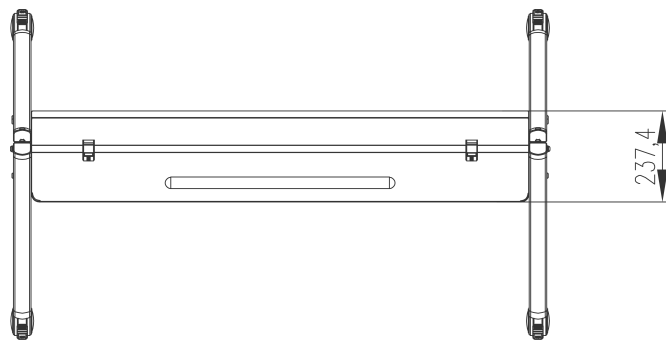
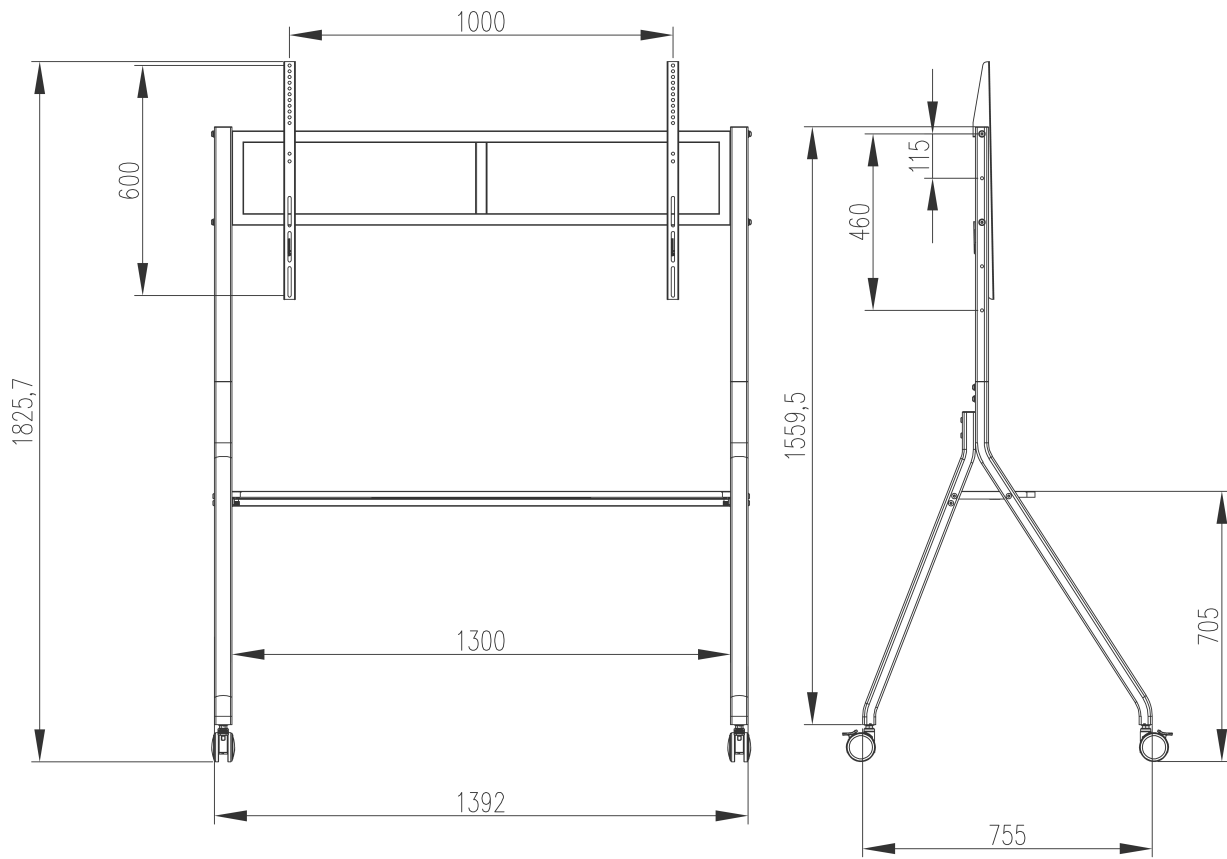
FS10

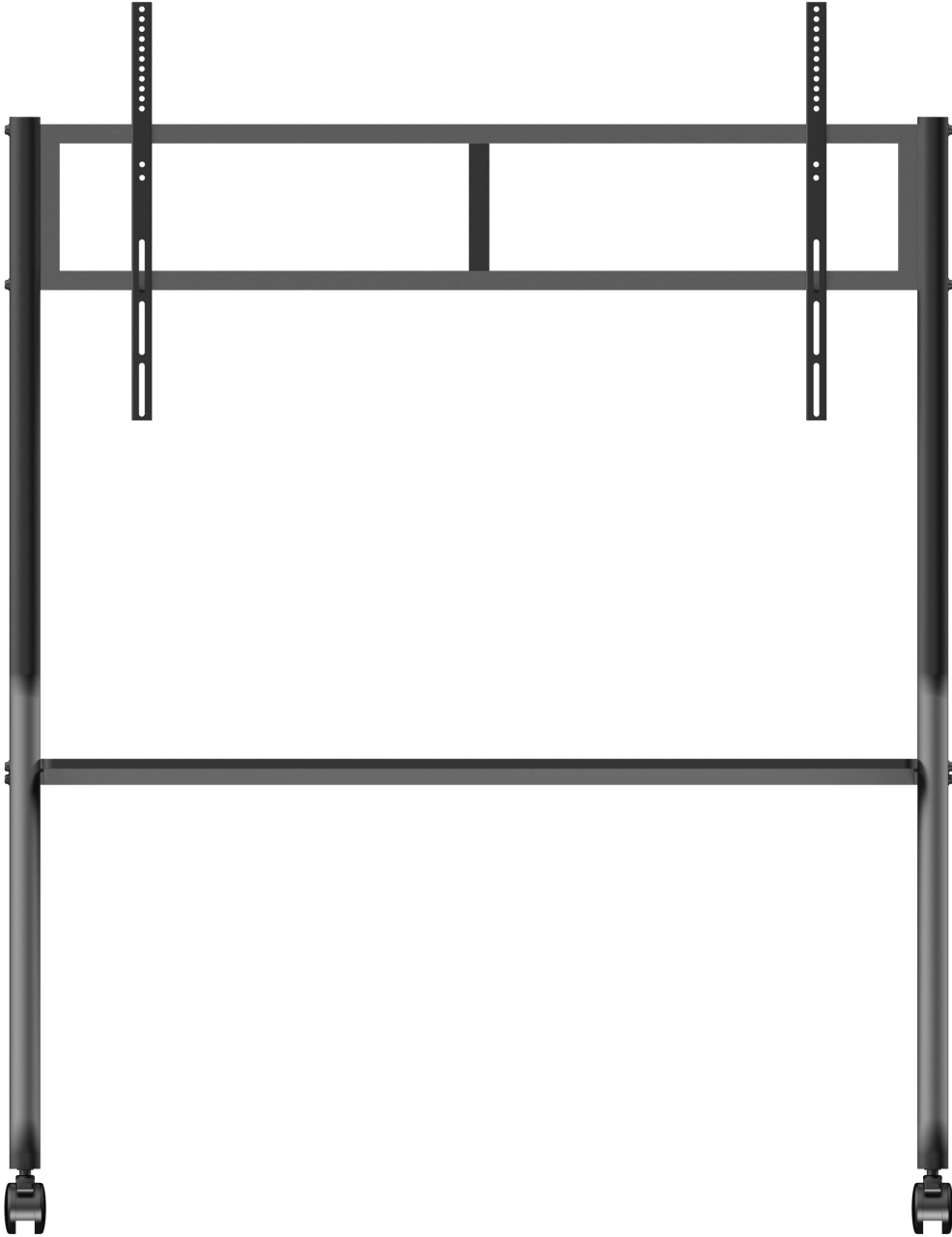
LINKVIL Floor Stand

Datasheet

Specifications

Compatible Display Size	65/86/98 inches
Minimum VESA Stand ing Hole	100×100 mm
Maximum VESA Stand ing Hole	1000×600 mm
Stand Height (Assembled)	1825.7 mm
Stand Length (Assembled)	1392 mm
Stand Width (Assembled)	755 mm
Stand Tray Height from Floor	705 mm
Stand Tray Length	1300 mm
Stand Tray Width	237.4 mm
Maximum Weight Capacity	200kg (440LBS)
Color	Dark gray
Net Weight	18.2KG
Gross Weight	19.6KG
Outer Packaging Dimensions	1330×266×148 mm
Height Adjustable	230 mm





About LINKVIL

As a sub-brand of Fanvil, LINKVIL focuses on the research and development of A&V-IoT wireless communication products. Based on Audio & Video-IoT, LINKVIL helps customers to achieve full connection of wireless communication systems and will build a wireless communication ecosystem for multi-scenarios to help different industries accelerate their digital transformation.

Copyright

All rights reserved. No parts of this publication may be reproduced or transmitted in any form or by any means, electronic or mechanical, photocopying, recording, or otherwise, for any purpose, without the express written permission of Fanvil Link Technology Co., Ltd.

More Information

The above specifications may be updated in the future without prior notice. All hardware/software/physical features should be based on the final shipped products.
For more information, please visit: www.fanvil.com

Fanvil | **LINKVIL**

Fanvil Link Technology Co., Ltd.

Web: www.fanvil.com

Tel: +86-755-2640-2199

E-mail: sales@fanvil.com

Add: 13th Floor, Building 2, Runzhi R&D Center, Xin'an Street, Bao'an District, Shenzhen, China